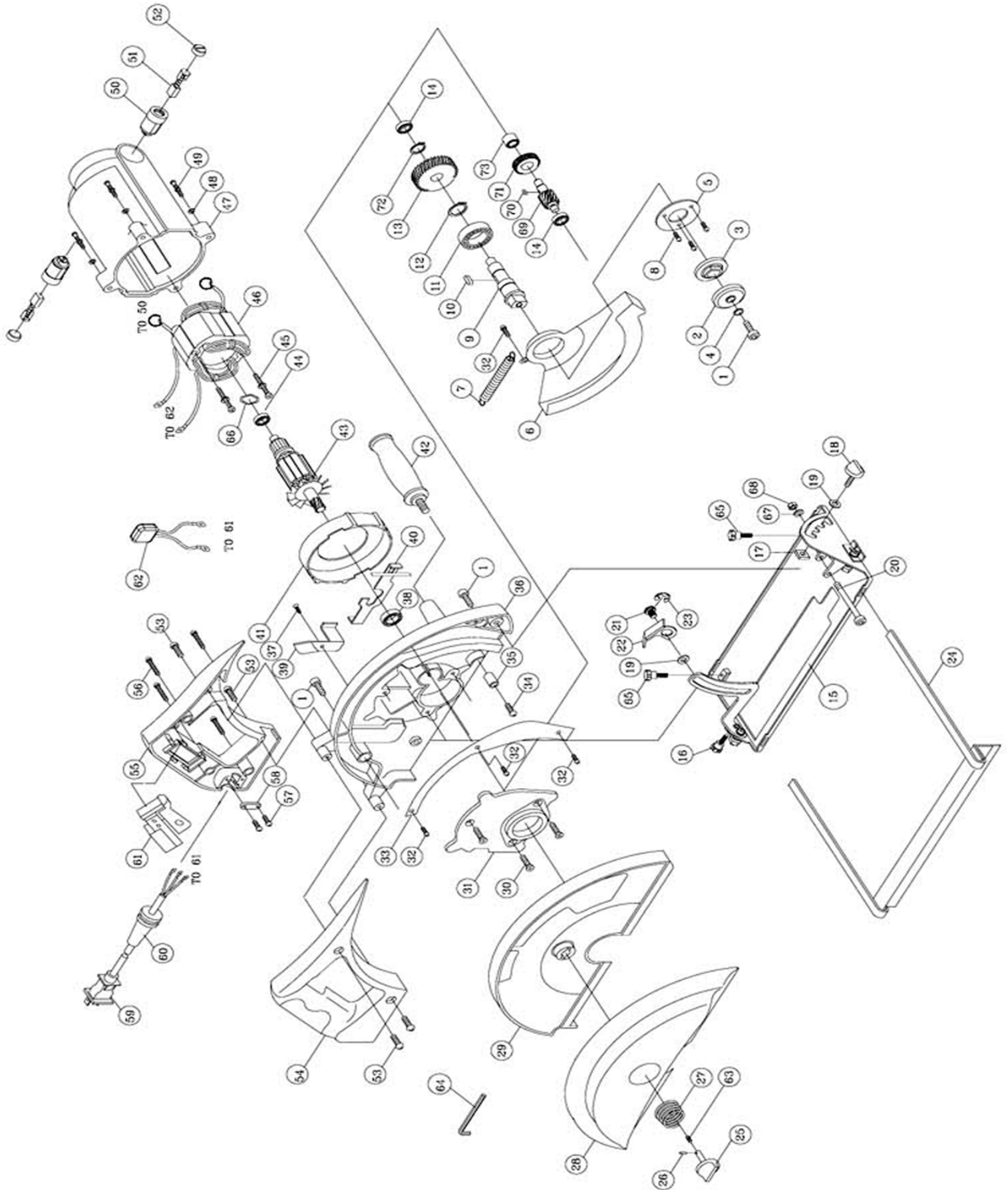


# Hand Dry Cutter 8230N



# Hand Dry Cutter 8230N

ITEM	PART NO	QTY	PART NAME		**Price in \$
1.)	JEP23001	2	ARBOR BOLT	M8 x 16	\$ 1.18
2.)	JEP23002	1	OUTER ARBOR FLANGE		\$ 8.16
3.)	JEP23003	1	INNER FLANGE	20/30mm , 20/25.4mm , 5/8	\$ 9.91
4.)	JEP23004	1	FLAT WASHER	Ø8 x Ø20 x 3	\$ 0.58
5.)	JEP23005	1	BEARING COVER PLATE		\$ 2.91
6.)	JEP23006	1	LOWER RETRACTING BLADE GUARD		\$ 46.06
7.)	JEP23007	1	SPRING	Ø0.5 x Ø4 x 65T	\$ 1.16
9.)	JEP23009N	1	SPINDLE		\$ 21.00
10.)	JEP23010N	2	WOODRUFF KEY	5 x 5 x 10	\$ 1.75
11.)	JEP23011	1	BALL BEARING	6202-2RS	\$ 18.08
12.)	JEP23012	1	C-CLIP	S-15	\$ 0.58
13.)	JEP23013	2	OUTPUT GEAR	M1.25 x 31T	\$ 36.74
14.)	JEP23014	2	BALL BEARING	608 zz	\$ 7.58
15-1.)	JEP23015N	1	BASE		\$ 99.73
15-2.)	JEP12015N1	1	PIVOT BRACKET		\$ 9.91
15-3.)	JEP23015N2	1	DEPTH ADJUSTMENT TRACK		\$ 18.66
15-4.)	JEP23015N3	1	SIGHTING NOTCH		\$ 3.50
15-5.)	JEP23015N4	2	SCREW	M5 x 16	\$ 0.58
15-6.)	JEP23015N5	2	NUT	M5	\$ 0.58
17.)	JEP23017	1	BEVEL LOCKING BLOCK		\$ 1.75
18.)	JEP23018	1	BEVEL LOCK KNOB		\$ 4.08
19.)	JEP23019N	1	FLAT WASHER	Ø11.5 x Ø24 x 2.5	\$ 0.58
20.)	JEP23020	1	SCREW	M6 x 40 x 9mm	\$ 1.75
21.)	JEP23021	1	DEPTH LOCK PIN	M8 x 12	\$ 1.16
22.)	JEP23022	1	DEPTH LOCK LEVER		\$ 4.08
23.)	JEP23023	1	E-CLIP	E-10	\$ 0.58
24.)	JEP23024	1	RIP FENCE		\$ 18.66
25.)	JEP23025	1	COVER LOCK KNOB	Ø8 x 26	\$ 7.58
26.)	JEP23026	1	PIN	Ø4 x 14	\$ 1.16
27.)	JEP23027	1	SPRING	Ø2.3 x 4T	\$ 1.16
28.)	JEP23028	1	OUTER BLADE COVER		\$ 58.32
29.)	JEP23029	1	INNER BLADE COVER		\$ 54.24
30.)	JEP23030N	3	FLAT HEAD SCREW	M5 x 15	\$ 0.58
31.)	JEP23031N	1	GEAR PLATE		\$ 33.24
32.)	JEP23032	4	PAN HEAD SCREW	M4 x 6	\$ 0.58
33.)	JEP23033	1	DUST COVER PLATE		\$ 8.75
34.)	JEP23034	1	PAN HEAD SCREW	M6 x 16	\$ 0.58
35.)	JEP23035	1	BUMP STOP		\$ 1.16
36.)	JEP23036N	1	MAIN BODY CASTING		\$ 170.29
37.)	JEP23037	4	SCREW	M4 x 8	\$ 0.58
38.)	JEP23038N	1	BALL BEARING	6002-2RS	\$ 22.16
39.)	JEP23039	1	MOTOR CABLE COVER PLATE		\$ 1.75
40.)	JEP23040	1	BLADE LOCK COVER		\$ 7.58
41.)	JEP23041	1	FAN SHROUD		\$ 2.91
42.)	JEP23042	1	SIDE HANDLE		\$ 11.66
43.)	JEP23043 1	1	ARMATURE	94 x 54 x 45R Ø16.5H23	\$ 207.62
44.)	JEP23044N	1	BALL BEARING	6200-2RU	\$ 19.82
45.)	JEP23045	2	PAN HEAD SCREW W / SPRING WAS	M5 x 60	\$ 0.58
46.)	JEP23046 1	1	STATOR		\$ 125.39
47.)	JEP23047	1	MOTOR HOUSING		\$ 38.50
48.)	JEP23048	8	FLAT WASHER	Ø5 x Ø12 x 1	\$ 0.58
49.)	JEP23049	4	PAN HEAD SCREW W / SPRING WAS	M5 x 30	\$ 0.58
50.)	JEP23050	2	BRUSH HOLDER	7 x 17	\$ 6.42
51.)	JEP23051	1	CARBON BRUSH SET	7 x 17 x 17 (2 Pieces)	\$ 17.16
52.)	JEP23052	2	BRUSH CAP	7 x 17	\$ 0.58
53.)	JEP23053	4	SCREW	M5 x 16	\$ 0.58
54.)	JEP23054S	1	MAIN HANDLE HALF (RH) + (LH)	Pos. 54 + 55	\$ 43.15
56.)	JEP23056	4	PAN HEAD SCREW	M4 x 25	\$ 0.58

## Hand Dry Cutter 8230N

57.)	JEP23057	2	PAN HEAD SCREW	M4 x 14	\$ 0.58
58.)	JEP23058	1	CORD CLIP		\$ 0.58
59.)	JEP23059	1	POWER SUPPLY CORD (220 V)	1.5 x 2C x 3M VDE Plug	\$ 26.24
60.)	JEP23060	1	CORD ARMOR		\$ 2.33
61.)	JEP23061	1	SWITCH (220 V)	LOOK OFF	\$ 48.41
62.)	JEP23062	1	EMC CAPACITOR UNIT	0.47 $\mu$ F / Ac275V	\$ 5.83
63.)	JEP23063	1	SET SCREW	M4 x 4	\$ 0.58
64.)	JEP23064	1	HEX WRENCH	M6	\$ 1.75
65.)	JEP23065N	3	THUMB SCREW	M5 x 10	\$ 1.16
66.)	JEP23066	1	WASHER	$\varnothing$ 29.5	\$ 0.58
67.)	JEP23067	2	FLAT WASHER	$\varnothing$ 6 x $\varnothing$ 13 x 1	\$ 0.58
68.)	JEP23068	1	HEX. NUT	M6	\$ 0.58
69.)	JEP23069N	1	INTERMEDIATE GEAR	M1.25 x 12T	\$ 30.32
72.)	JEP23072	1	C-CLIP	S-14	\$ 0.58
73.)	JEP23073N	1	BALL BEARING	6200 zz	\$ 16.33
75.)	JEP23075	1	SIDE HANDLE BASE BRACKET		\$ 33.56
76.)	JEP23076	4	SCREW	M5 x 10	\$ 0.58
77.)	JEP23079N	1	SCREW	M5 x 20	\$ 0.58
78.)	JEP23078N	1	FLAT WASHER	$\varnothing$ 8 x $\varnothing$ 20 x 1	\$ 0.58
79-1A.)	JEP23077	1	SPEED CONTROL / SOFT START (Optional)	220V	\$ 84.56