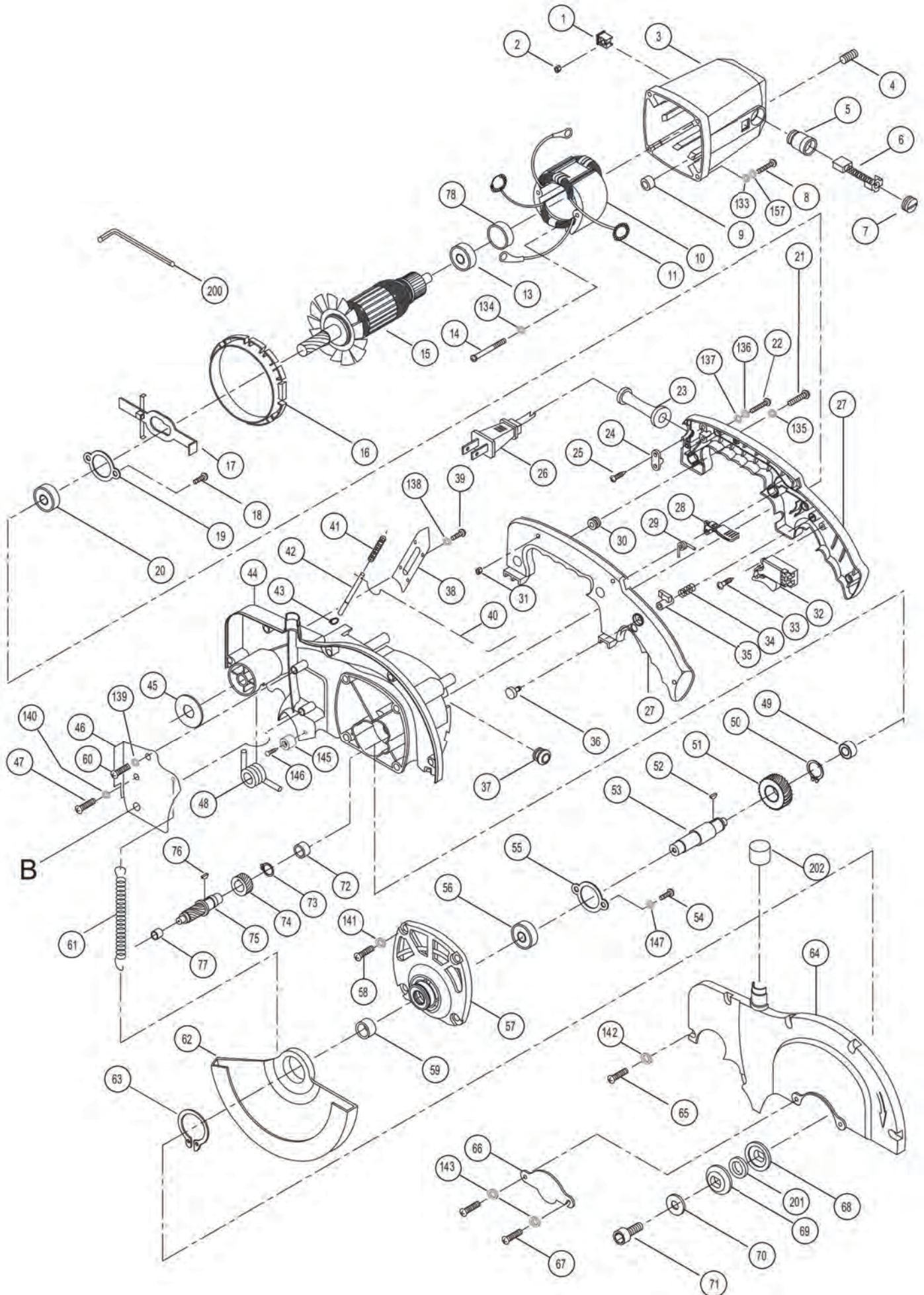
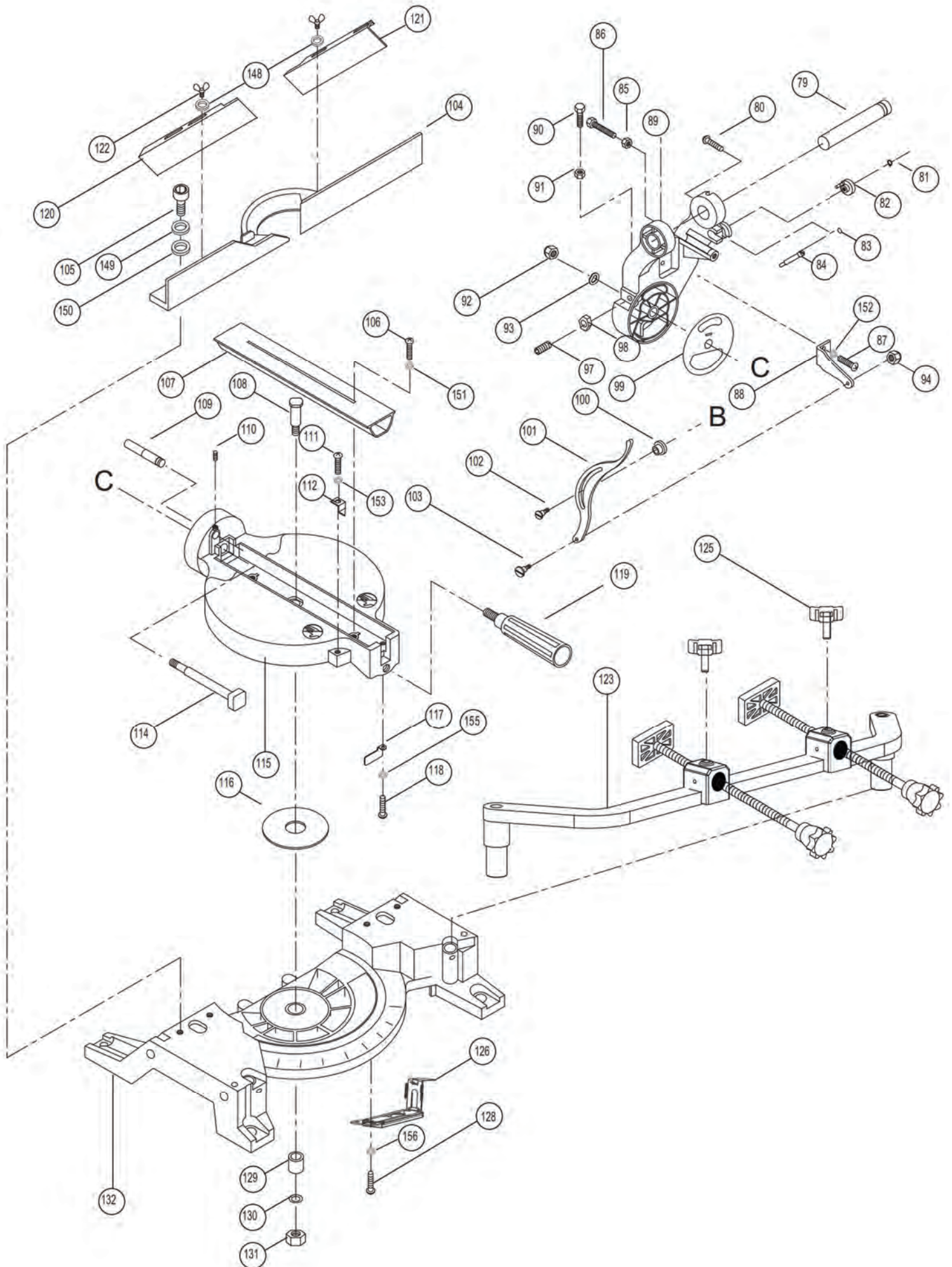


Dry Miter Cutter 9410ND



Dry Miter Cutter 9410ND



Dry Miter Cutter 9410ND

ITEM	PART NO	QTY	PART NAME		** Price in \$
1	1604017	2	Nut Housing		\$ 1.00
2	3301005	2	Hex. Nut	M5	\$ 0.94
3	1607059N	1	Motor Housing		\$ 42.60
4	F2443010	2	Hex. Socket No Hd. Screw	M5x10	\$ 1.34
5	0903028	2	Carbon Brush Holder		\$ 15.07
6	0901008-2	1	Carbon Brush SET (2 Pieces)	(220V)(115V)	\$ 20.00
7	0902006	2	Brush Holder Cap		\$ 2.91
8	F2413027	4	Pan Hd. Screw	M5x27	\$ 0.88
9	F2106322	2	Sleeve		\$ 1.75
10	F1001092E	1	Field Assembly	(115V)	\$ 107.54
	1002092E	1	Field Assembly	(230V)	\$ 107.54
11	2210013	2	Brush Holder Spring		\$ 2.16
13	0602010	1	Ball Bearing	6200ZZ	\$ 15.17
14	F2413070	2	Pan Hd. Screw	M5x70	\$ 1.34
15	F1803070	1	Armature Assembly	(115V)	\$ 198.29
	F1804070	1	Armature Assembly	(230V)	\$ 198.29
16	F1201018	1	Fan Guide		\$ 4.44
17	F1209448	1	Spindle Locker		\$ 4.96
18	2422010	2	Counter Sunk Hd. Screw	M4x10	\$ 0.65
19	F1202017	1	Bearing Retainer		\$ 2.33
20	0602007	1	Ball Bearing	6002ZZ	\$ 13.76
21	2413020	2	Pan Hd. Screw	M5x20	\$ 1.08
22	2412023	4	Pan Hd. Screw	M4x23	\$ 0.70
23	1604242	1	Cord Guard	(230V)	\$ 3.91
24	1604018	1	Strain Relief		\$ 1.40
25	2492014	2	Tapping Screw	TS4x14	\$ 0.70
26	1114012	1	Power Supply Cord With US Plug	(115V)	\$ 29.16
	F1104002	1	Power Supply Cord With VDE Plug	(230V)	\$ 29.16
27	1601036-1S	1	Handle Set	(230V)	\$ 25.45
28	1604273	1	Set Lever	(230V)	\$ 1.44
29	2207101	1	Spring	(230V)	\$ 0.47
30	2106466	2	Wire Guide Wheel	(230V)	\$ 2.51
31	3301004	4	Hex. Nut	M4	\$ 0.94
32	0704105	1	Switch	(230V)	\$ 28.49
33	2492010	2	Tapping Screw	TS4x10	\$ 0.65
34	F2207017	1	Spring		\$ 0.94
35	1604309	1	Push Pole		\$ 2.40
36	1604310	1	Stopper		\$ 2.22
37	1606023	1	Wire Guide		\$ 2.10
38	1209509	1	Plate		\$ 1.90
39	2412008	4	Pan Hd. Screw	M4x8	\$ 0.38
40	2106470	1	Wire	(230V)	\$ 0.12
41	2207107	1	Stopper Spring	(230V)	\$ 0.49
42	2106495	1	Stopper	(230V)	\$ 4.08
43	2203070	1	Retaining Ring	C-7(230V)	\$ 1.08
44	3005154-1	1	Blade Cover		\$ 121.39
45	1209510	2	Washer		\$ 3.55
46	1209508	1	Plate		\$ 11.95
47	2412008	1	⊕Pan Hd. Screw	M4x8	\$ 0.38
48	2207106	1	Torsion Spring		\$ 0.38
49	0607014	1	Needle Bearing	HK-0910	\$ 8.75
50	2203120	1	Retaining Ring	C-12	\$ 2.30
51	1905111	1	Helical Gear	Ø13x4	\$ 15.66
52	T2201003	1	Woodruff Key	Ø10x3	\$ 3.06
53	2004104	1	Spindle	φ22x96.5	\$ 22.60
54	2412010	2	Tapping Screw	M4x10	\$ 0.94
55	1202027	1	Bearing Retainer		\$ 2.63
56	0606063	1	Ball Bearing	6203LU	\$ 14.96
57	3004085	1	Bearing Box		\$ 49.10
58	2413020	4	⊕Pan Hd. Screw	M5x20	\$ 1.08
59	2108040	1	Sleeve	φ22*φ17*17	\$ 4.16
60	2412008	1	Screw	M4x8	\$ 0.38
61	2207160	1	Spring	φ4.5*63*φ0.6	\$ 2.28
62	3005156	1	Safely Cover		\$ 35.89
63	2203420	1	Retaining Ring	C-42	\$ 2.40
64	3005155-1	1	Face Cover		\$ 33.54
65	2413015	5	⊕Pan Hd. Screw	M5x15	\$ 1.08

Dry Miter Cutter 9410ND

66	1209530	1	Plate		\$ 2.33
67	2413008	2	⊕Pan Hd. Screw	M5x8	\$ 0.94
68	F2104050	1	Flange		\$ 16.84
69	F2104050	1	Flange		\$ 16.84
70	F2106134	1	Flat Washer		\$ 3.55
71	F2106037	1	Screw	M8x20(左牙)	\$ 11.04
72	0607016	1	Ball Bearing	HK-0709	\$ 7.70
73	2203170	1	Retaining Ring	C-17	\$ 0.61
75	1906028	1	Gear Shaft		\$ 10.50
74	F1905112	1	Pinion Gear		\$ 8.87
76	F2201006	1	Woodruff Key	4xφ13	\$ 1.75
77	F0607005	1	Needle Bearing	HK-1210	\$ 14.53
78	1606101	1	Rubber Cup	φ30xφ30x10	\$ 4.52
79	2106494	1	Swing Shaft	φ16x122	\$ 8.54
80	2412012	1	Pan Hd. Screw	M4x12	\$ 0.94
81	2203070	1	Retaining Ring	C-7	\$ 1.08
82	1604300-1	1	Knob		\$ 10.74
83	1606168	1	O – Ring	φ6.8xφ10.6xφ1.9	\$ 0.43
84	2106553	1	Transportation Lock Pin	φ9.9x44	\$ 7.64
85	3301008	1	Hex. Nut	M8	\$ 0.94
86	2476035	1	Hex. Hd. Screw	M8x35	\$ 1.10
87	2413015	2	Pan Hd. Screw	M5x15	\$ 1.08
88	1209531N	1	Support Seat		\$ 6.85
89	3005160-2	1	Arm		\$ 69.98
90	2476030	1	Hex. Hd. Screw	M8x30	\$ 0.94
91	3301008	1	Hex. Nut	M8	\$ 0.94
92	3306012	1	Hex Nut With Plastic Insert	M12	\$ 0.94
93	2106668	1	Flat Washer	φ12xφ32x6	\$ 6.12
94	3306005	1	Lock Nut	M5	\$ 0.47
97	2446020	2	Hex. Socket No Hd. Screw	M8x20	\$ 0.94
98	3301008	1	Hex. Nut	M8	\$ 0.94
99	1209520	1	Flat Washer		\$ 2.10
100	2106487	1	Pilot Wheel	φ6.7xφ9xφ15x7.4	\$ 2.18
101	1209529	1	Pilot Plate		\$ 7.87
102	2106675	1	Screw		\$ 4.84
103	2106674	1	Screw		\$ 4.84
104	3005219	1	Fence Guide		\$ 63.72
105	2456025-1	4	Hex. Socket Hd. Screw	M8x25	\$ 1.10
106	2413008	2	Pan Hd. Screw	M5x8	\$ 0.94
107	3005220	1	Table Insert		\$ 62.70
108	2106478	1	Shaft		\$ 13.74
109	2106480-1	1	Locating Pin		\$ 8.75
110	2442006	1	Hex. Socket No Hd. Screw	M4x6	\$ 0.70
111	2412010	1	Pan Hd. Screw	M4x10	\$ 0.94
112	1209496	1	Indicate Plate		\$ 1.44
114	2106479-2	1	Linking Shaft		\$ 31.24
115	3005161-1	1	Disc		\$ 69.98
116	1209494	1	Washer		\$ 2.33
117	1209489	1	Back-up Plate		\$ 1.16
118	2412010	1	Pan Hd. Screw	M4x10	\$ 0.94
119	F1602006	1	Side Handle		\$ 8.40
120	F3005143	1	Adjusting Plate (L)		\$ 23.33
121	F3005142	1	Adjusting Plate (R)		\$ 23.33
122	2403012	2	Thumb Screw	M5x12	\$ 2.33
123	1501201A	1	Vise Assembly		\$ 215.78
125	1604264	2	Wing Nut	M6x15	\$ 3.04
126	1501200	1	Detent Plate		\$ 66.00
128	2413015	2	⊕Pan Hd. Screw	M5x15	\$ 1.08
129	2106492	1	Bushing		\$ 4.79
130	1209543	1	Flat Washer	Ø32x12	\$ 3.20
131	3306012	1	Hex Nut With Plastic Insert	M12	\$ 0.94
132	3005148-1	1	Base		\$ 219.90
200	F2603060	1	Hex Wrench	6mm	\$ 4.22
201	F2108031	1	Sleeve	φ25.4xφ15.9x2	\$ 2.53
202	1604392	1	Blade Cover End Cap	Yellow	\$ 5.83