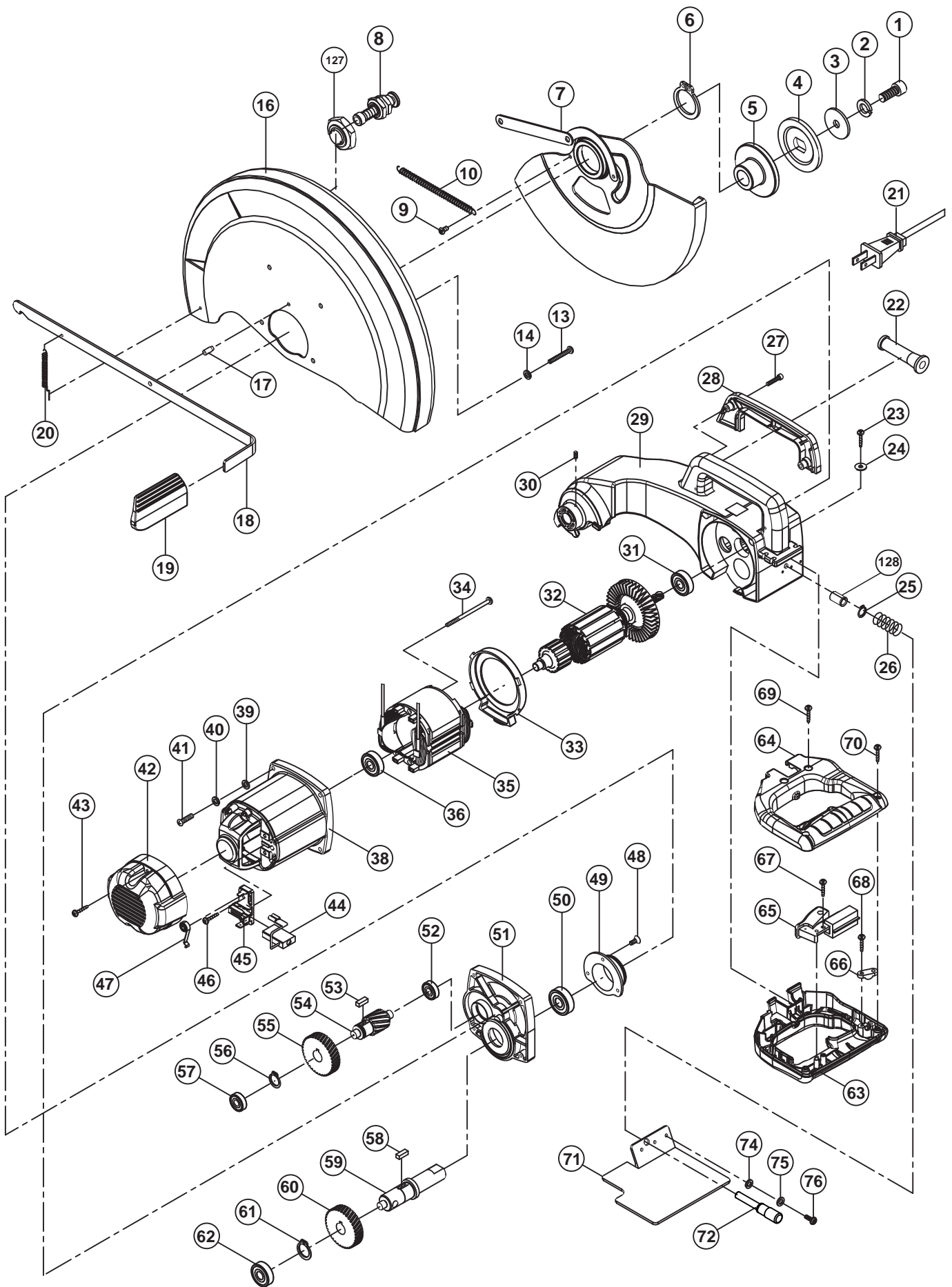
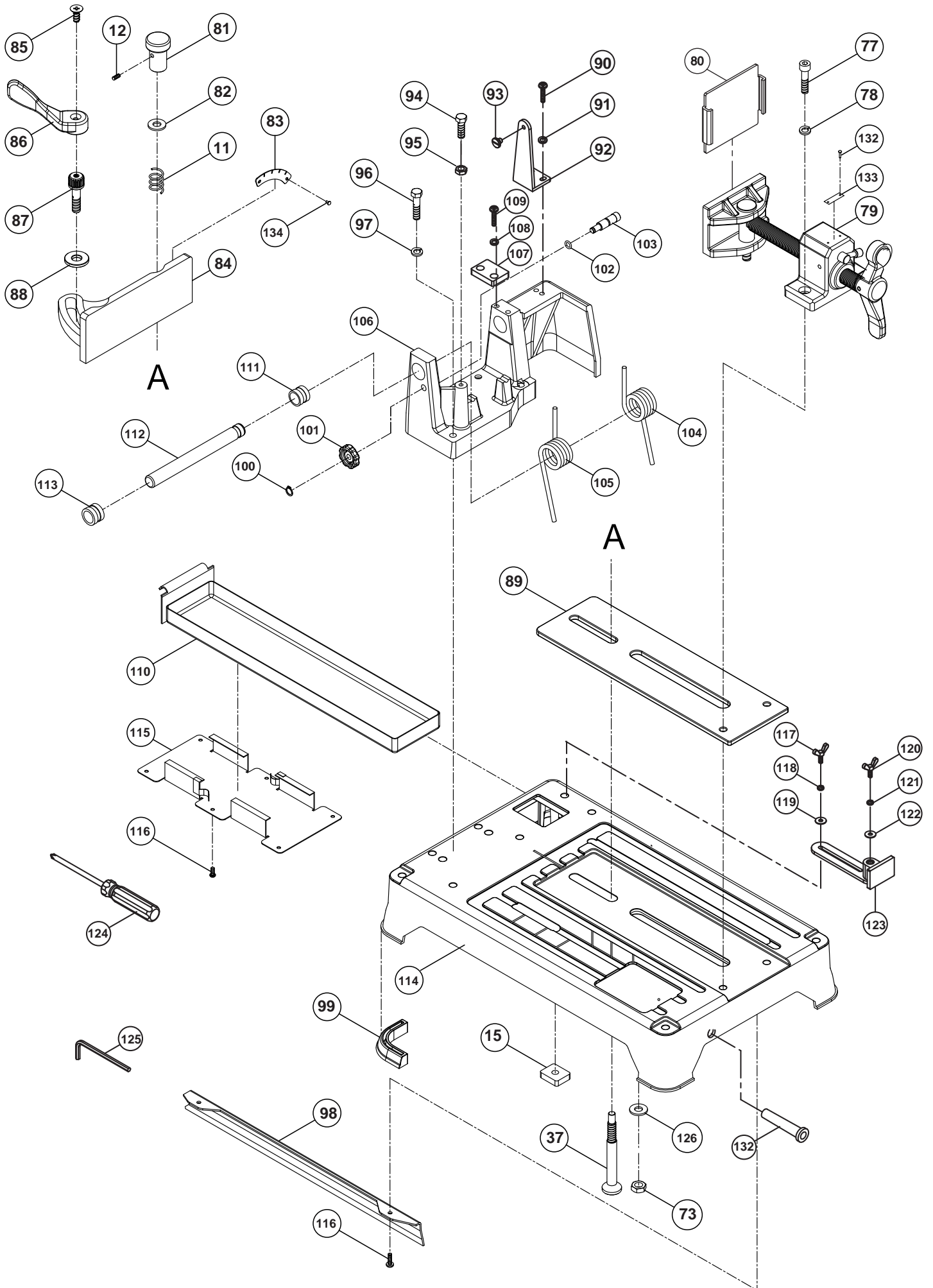


# Premium Super Dry Cutter 9435 T3



# Premium Super Dry Cutter 9435 T3



## Premium Super Dry Cutter 9435 T3

ITEM	PART NO	QTY	PART NAME		**Price in \$
1	2458025	1	Hex. Socket Hd. Screw	M10x25	\$ 3.79
2	2222100	1	Spring Washer	Ø10	\$ 0.94
3	1209069	1	Flat Washer	Ø10.2xØ40	\$ 2.04
4	2104004	1	Flange	Ø70x Ø20x7.5	\$ 16.28
5	2104085	1	Flange	Ø20* Ø25.4* Ø70*29	\$ 31.49
6	2203420	1	Retaining Ring	C-42	\$ 2.40
7	1501170	1	Safety Cover Set	T2 / T3	\$ 67.07
8	1501177	2	Supporting Set	T2 / T3	\$ 32.08
9	2412007-1	1	Pan Hd. Screw	M4x7	\$ 0.88
10	2207148	1	Tension Spring	Ø0.7* Ø6*100	\$ 1.75
11	2207143	1	Spring		\$ 1.46
12	2443006	1	Hex. Socket No Hd. Screw	M5x6	\$ 1.46
13	2413035	4	Pan Hd. Screw	M5x35	\$ 1.14
14	2222050	4	Spring Washer	Ø5	\$ 0.90
15	2106578	1	Setting Nut		\$ 4.67
16	1501163	1	Blade Cover		\$ 116.64
17	2106580	1	Supprot Pin		\$ 1.31
18	1209641	1	Arm Lock Plate		\$ 21.04
19	1606179	1	Rubber		\$ 6.97
20	2207147	1	Tension Spring		\$ 0.66
21	1114012	1	Power Supply Cord With Plug	(115V) US Version	\$ 29.16
21	1106002	1	Power Supply Cord With Plug	(230V)	\$ 44.53
22	1604242	1	Cord Guard	(230V) / (115V)	\$ 3.91
23	2493020	2	Tapping Screw	TS5x20	\$ 0.90
24	1209352	2	Flat Washer	Ø5xØ14	\$ 0.61
25	2205043	1	Crescent Ring	C-8	\$ 0.49
26	2207151	1	Spring		\$ 0.65
27	2452016	2	Hex.Socket Hd. Screw	M4x16	\$ 0.83
28	1604351	1	Handle Cover		\$ 4.84
29	3005179	1	Gear Housing		\$ 142.30
30	2442010	1	Hex. Socket No Hd. Screw	M4x10	\$ 0.77
31	0605012	1	Ball Bearing	6202LUZ	\$ 15.17
32	1803090	1	Armature Assembly	(115V)	\$ 139.50
32	1804090	1	Armature Assembly	(230V)	\$ 145.94
33	1201042	1	Fan Guide	Ø70x11	\$ 4.21
34	2493080	2	Tapping Screw	TS5x80	\$ 2.34
35	1001126	1	Field Assembly	(115V)	\$ 120.60
35	1002126	1	Field Assembly	(230V)	\$ 130.20
36	0602010	1	Ball Bearing	6200-ZZ	\$ 15.17
37	2106577	1	Fence Guide Spindle		\$ 37.80
38	1607103	1	Motor Housing		\$ 24.61
39	2223050	4	Flat Washer	Ø5	\$ 0.29
40	2222050	4	Spring Washer	Ø5	\$ 0.68
41	2413030	4	Pan. Hd. Screw	M5x30	\$ 1.14
42	1604340	1	Rear cover	98x112x56	\$ 8.99
43	2492018	2	Tapping Screw	TS4x18	\$ 0.70
44	0901038-1	1	Carbon Brush SET (2 Pieces)	(115V)	\$ 19.99
44	0901038-2	1	Carbon Brush SET (2 Pieces)	(230V)	\$ 19.99
45	0903059	2	Carbon Brush Holder		\$ 10.57
46	2492012	4	Tapping Screw	TS4x12	\$ 0.70
47	0904006	2	Spring		\$ 1.55
48	2422010	3	Counter Sunk Hd. Screw	M4x10	\$ 0.65
49	2106372-1	1	Safety Cover Guide	Ø42xØ36x19.5	\$ 21.58
50	0606064	1	Ball Bearing	6204-LU	\$ 21.00
51	3004077	1	Front Cover	(230V)	\$ 22.16

## Premium Super Dry Cutter 9435 T3

52	0601010	1	Ball Bearing	6200-Z	\$ 10.79
53	2202050	1	Square Key		\$ 1.46
54	1906043	1	Gear Shaft	(230V) RPM1300	\$ 27.02
55	1905079	1	Gear		\$ 41.99
56	2203180	1	Retaining Ring	C-18	\$ 1.08
57	0601005	1	Ball Bearing	6000Z	\$ 9.92
58	2202052	1	Square Key	5x5x12	\$ 1.18
59	2004122	1	Spindle	Ø26xØ21x104.2	\$ 31.56
60	1905145	1	Gear	(230V) RPM1300	\$ 41.64
61	2203210	1	Retaining Ring	C-21	\$ 1.08
62	0601010	1	Ball Bearing	6200-Z	\$ 10.79
63/64	1601048-1S	1	Switch Handle	(230V)	\$ 21.00
65	0704097	1	Switch	(230V)	\$ 46.28
66	1604018	1	Strain Relief		\$ 1.40
67	2492010	1	Tapping Screw	TS4x10	\$ 0.65
68	2492014	2	Tapping Screw	TS4x14	\$ 0.70
69	2492028	2	Tapping Screw	TS4x28	\$ 0.90
70	2492016	2	Tapping Screw	TS4x16	\$ 0.70
71	1604077 N	1	Protection Plate	145x129x40	\$ 23.88
72	2106593	1	Stopper		\$ 4.92
73	3301010	1	Hex. Nut	M10	\$ 1.27
74	2223040	3	Flat Washer	Ø4	\$ 0.24
75	2222040	3	Spring Washer	Ø4	\$ 0.30
76	2412012	3	Pan Hd. Screw	M4x12	\$ 0.94
77	2456035	2	Hex. Socket Hd. Screw	M8x35	\$ 3.50
78	2222080	2	Spring Washer	Ø8	\$ 0.94
79	1501178	1	Vise Assembly		\$ 132.34
80	1209471	1	Jig Plate		\$ 23.33
81	2106576	1	Spindle Nut		\$ 14.87
82	1209284	1	Flat Washer	Ø10xØ22x2.5	\$ 0.88
83	1712185	1	Scale Plate		\$ 2.87
84	3101059	1	Fence Guide		\$ 58.32
85	2424012	1	Counter Sunk Hd. Screw	M6x12(230V)	\$ 0.88
86	3005113-1	1	Lever	(230V)	\$ 11.66
87	2106568	1	Set bolt	M10x70(230V)	\$ 15.17
88	2106560	1	Flat Washer	Ø12xØ30x4	\$ 2.33
89	1209636	1	Setting up piece		\$ 46.07
90	2413020	2	Pan Hd. Screw	M5x20	\$ 1.08
91	2222050	2	Spring Washer	Ø5	\$ 0.90
92	1209499	1	Rock Seat	26x72x74	\$ 4.97
93	2106589	1	Screw		\$ 1.63
94	2476045	1	Hex. Hd. Screw	M8x45	\$ 0.94
95	3301008	1	Hex. Nut	M8	\$ 0.94
96	2476050	4	Hex. Hd. Screw	M8x50	\$ 0.94
97	2222080	4	Spring Washer	Ø8	\$ 0.94
98	1209637	1	Shield		\$ 15.17
99	1606176	4	Rubber Foot		\$ 2.92
100	2203070	1	Retaining Ring	C-7	\$ 1.08
101	1604300-1	1	Stopper Handle		\$ 10.74
102	1606173	1	O Ring	Ø1.5xØ8.5x Ø11.5	\$ 0.65
103	2106583	1	Stopper		\$ 5.83
104	2207140	1	Torsion Spring	(R)	\$ 12.62
105	2207141	1	Torsion Spring	(L)	\$ 12.62
106	3005197	1	Pivot Block	(230V)	\$ 122.47
107	1209645	1	Set Plate	(230V)	\$ 1.16
108	2222050	2	Spring Washer	Ø5	\$ 0.90

## Premium Super Dry Cutter 9435 T3

109	2413015	2	Pan Hd.Screw	M5×15 (230V)	\$ 1.08
110	1209640	1	Chip Box	T3	\$ 18.37
111	2106450	1	Axle Sleeve	Ø16×Ø20×16	\$ 2.81
112	2106586	1	Swing Shaft		\$ 10.21
113	2106448	1	Axle Sleeve	Ø16×Ø22×16	\$ 2.92
114	3005181	1	Base		\$ 224.53
115	1209634	1	Support Plate		\$ 23.33
116	2493012	2	Tapping Screw	M4×12	\$ 0.47
117	2403012	1	Thumb Screw	M5×12	\$ 2.33
118	2222050	1	Spring Washer	Ø5	\$ 0.90
119	1209352	1	Flat Washer	Ø5×Ø14	\$ 0.61
120	2403012	1	Thumb Screw	M5×12	\$ 2.33
121	2222050	1	Spring Washer	Ø5	\$ 0.90
122	1209352	1	Flat Washer	Ø5×Ø14	\$ 0.61
123	1501130	1	Stopper Set	(230V)	\$ 31.49
124	2603080	1	Hex. Wrench	8mm	\$ 6.31
125	2609002	1	Screw Driver		\$ 10.21
126	1209284	1	Flat Washer	Ø10×Ø22x2.5	\$ 0.88
127	2106419	1	HEX. NUT	φ34.6x6	\$ 7.56
128	2106594	1	Sleeve		\$ 4.67
129	2212034	2	Rivet		\$ 0.30
130	1712186	1	An indicator nameplate		\$ 2.87
131	2212033	2	Rivet		\$ 0.30
132	1604236	1	Wrench Guard		\$ 4.16