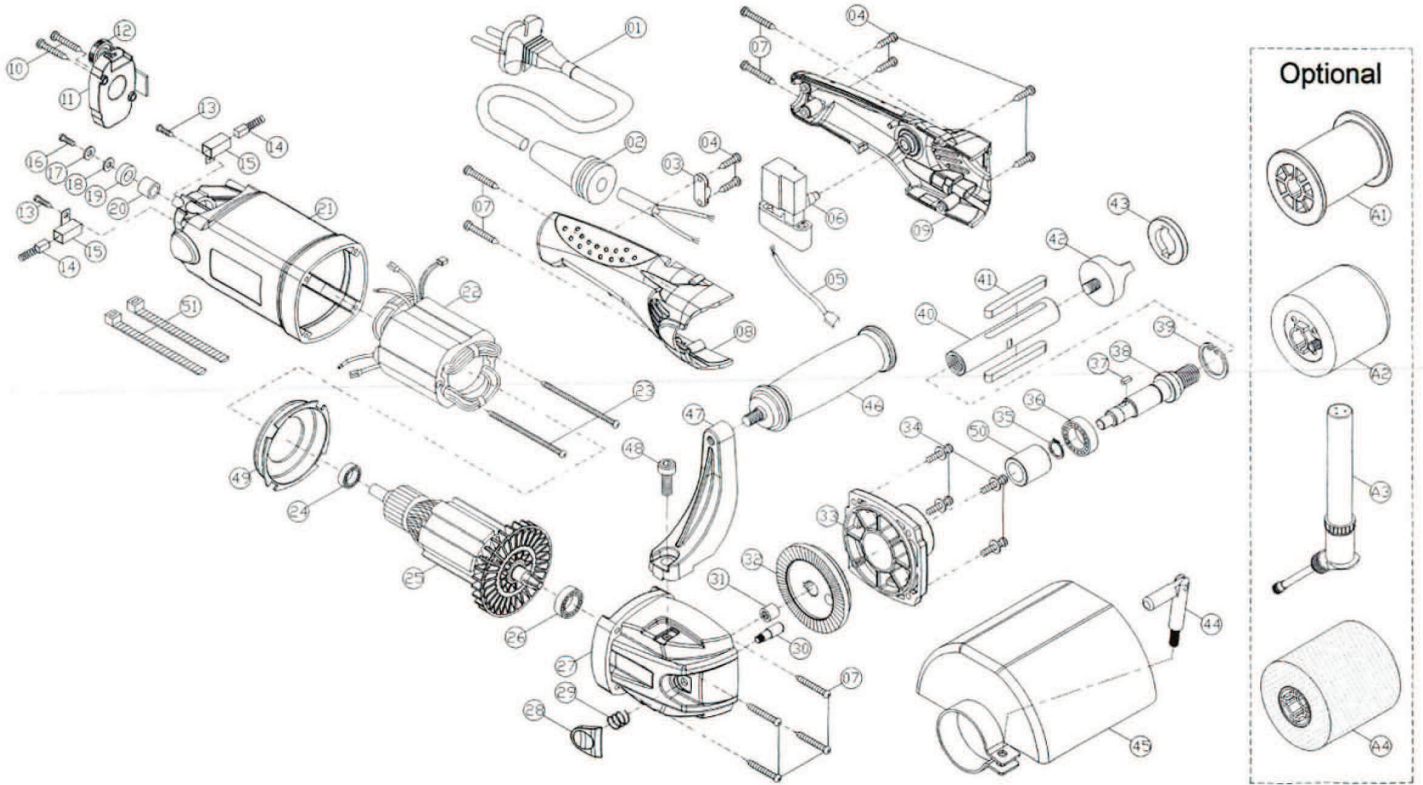


# Drum Sander / Polisher 100



# Drum Polisher | 495080

ITEM	PART NO	Q'TY	PART NAME	Price in € excl. VAT	
1.)	WS001	1	POWER SUPPLY CABLE	0.75 x 2C x 3M	19.10 €
2.)	WS002	1	CORD ARMOR		2.30 €
3.)	WS003	1	CABLE CLIP		0.60 €
4.)	WS004	6	SCREW	M4 x 14	0.60 €
5.)	WS005	1	WIRE LEAD		1.20 €
6.)	WS006	1	SWITCH		23.60 €
7.)	WS007	8	SCREW	M4 x 25	0.60 €
8.)	WS008	1	RIGHT HANDLE COVER		10.70 €
9.)	WS009	1	LEFT HANDLE COVER		10.70 €
10.)	WS010	2	SCREW	M4 x 20	0.60 €
11.)	WS011	1	ELECTRONICS UNIT	220V	125.80 €
12.)	WS012	1	THUMB WHEEL		2.30 €
13.)	WS013	2	BRUSH SCREW	M4 x 8	0.60 €
14.)	WS014N	1	CARBON BRUSH	SET (2 Pices)	16.30 €
15.)	WS015N	2	CARBON BRUSH HOLDER		4.00 €
16.)	WS016	1	SCREW	M4 x 10	0.60 €
17.)	WS017	1	FLAT WASHER	M4	0.60 €
18.)	WS018	1	PLASTIC WASHER	φ4 x φ11 x 1	0.60 €
19.)	WS019	1	PICKUP MAGNET	φ8 x φ15 x 5	2.30 €
20.)	WS020	1	SPACER	φ8 x φ12 x 10.5	1.70 €
21.)	DP021	1	MOTOR HOUSING	Drum Sander	19.10 €
22.)	WS022	1	STATOR	220 Volt	69.10 €
23.)	WS023	2	STATOR SCREW	M4 x 60	0.60 €
24.)	WS024	1	BALL BEARING	608-2RS	8.50 €
25.)	DP025	1	ARMATURE 220 Volt	Drum Sander 220 Volt	127.50 €
26.)	WS026	1	BALL BEARING	6000LLU	18.00 €
27.)	DP027	1	GEAR CASE		73.00 €
28.)	DP030	1	SPINDLE LOCK BUTTON	Drum Sander	2.30 €
29.)	WS029	1	SPRING	φ0.9 x φ10 x 13.5L x 4	0.60 €
30.)	WS030	1	SPINDLE LOCK		3.40 €
31.)	DP031	1	NEEDLE BEARING	HK0810	4.00 €
32.)	DP032	1	BEVEL GEAR	M1.0 67T	109.50 €
33.)	DP033	1	GEAR PLATE		23.60 €
34.)	DP034	4	SCREW	M4 x 16	0.60 €
35.)	DP035	1	EXTERNAL CIRCLIP	S-15	0.60 €
36.)	DP036	1	BALL BEARING	6002LLU	21.40 €
37.)	DP037	1	PARALLEL KEY	5 x 5 x 10	1.70 €
38.)	DP038	1	SPINDLE		20.30 €
39.)	DP039	1	INTERNAL CIRCLIP	R-32	0.60 €
40.)	DP040	1	LONG ARBOR		26.40 €
41.)	DP041	2	PARALLEL KEY	6 x 6 x 60	2.30 €
42.)	DP042	1	HAND KNOB	M8 x P1.25	3.40 €
43.)	DP043	10	ARBOR SPACER DISC		0.60 €
44.)	DP044	1	GUARD CLAMP LEVER	M6 x P1.0	17.50 €
45.)	DP045	1	GUARD		59.00 €
46.)	DP046	1	FRONT HANDLE		14.10 €
47.)	DP047	1	HANDLE BRACKET		12.40 €
48.)	DP048	1	SOCKET CAP BOLT	M8 x 16	0.60 €
49.)	DP049	1	FAN SHROUD		3.40 €
50.)	DP050	1	SPACER	φ15 x φ22 x 24.4	5.10 €
51.)	DP051	2	STRIP	2,4x80 mm	0.60 €
52.)	DP034	4	SCREW	M4 x 16	0.60 €
53.)	DP053	2	SPIRAL TORSION SPRING		1.70 €
54.)	DP054	1	O-RING	Ø32 x 2	0.60 €
55.)	DP055	1	SPRING WASHER	M8	0.60 €
			Optional Accessories		0.00 €
A1.)	DP0A1	1	BELT PULLEY (OPTIONAL)		38.20 €
A2.)	DP0A2	1	INFLATABLE SANDING DRUM (OPTIONAL)		89.40 €
A3.)	DP0A3	1	AIR PUMP (OPTIONAL)		15.80 €
A4.)	DP0A4	1	FLAP WHEEL (OPTIONAL)	105 x 100 x 19mm	98.30 €