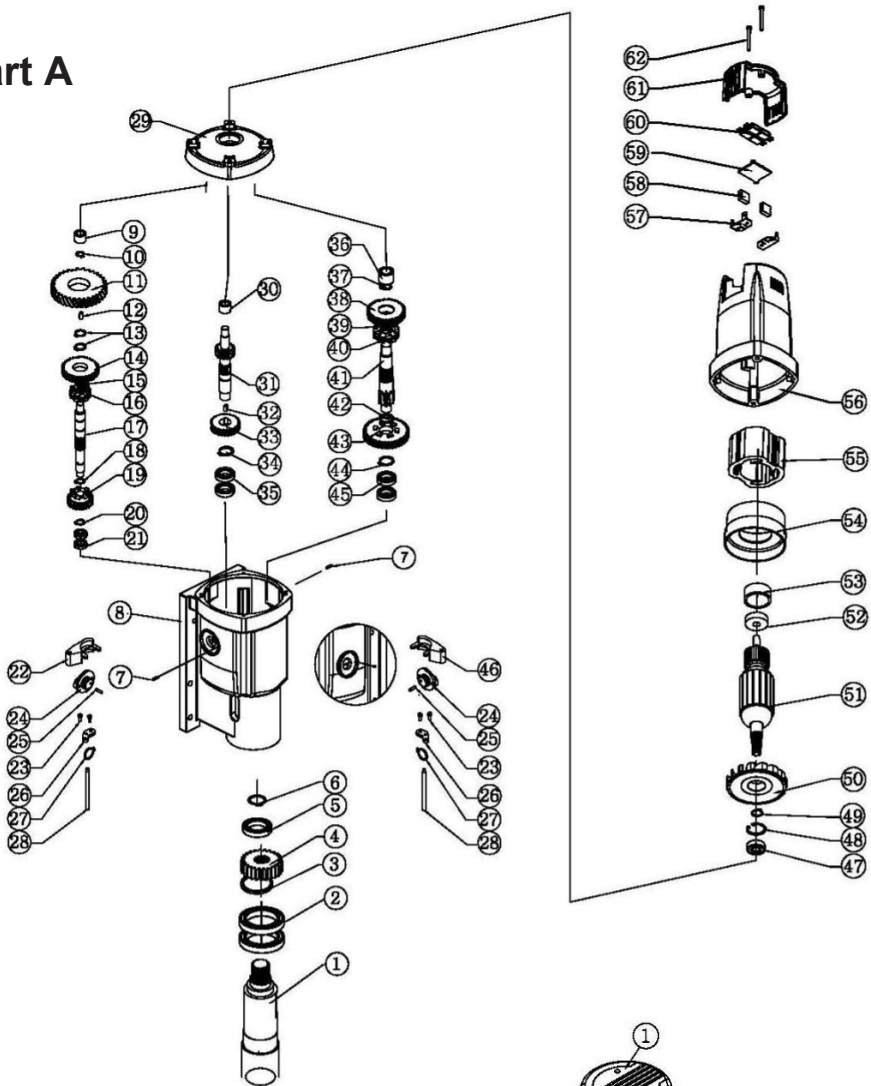
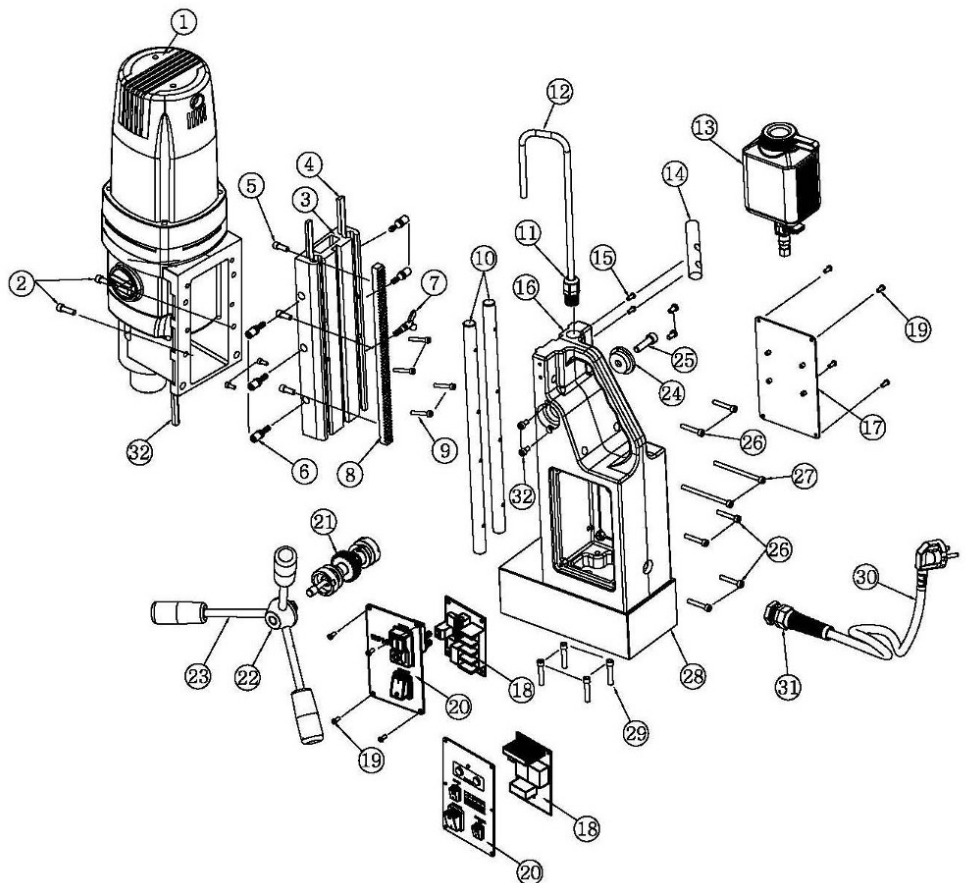


# MAGPRO 100M30

## Part A



## Part B



# MP 100M30 | 491100N

PART A				
ITEM	PART NO	Q'TY	PART NAME	Price in € excl. VAT
1.)	MA100-A01	1	SPINDLE	391.85 €
2.)	MA100-A02	2	BALL BEARING 6907 ZZ	23.05 €
3.)	MA100-A03	1	OIL SEAL	16.14 €
4.)	MA100-A04	1	MAIN GEAR 38T	147.52 €
5.)	MA100-A05	1	BALL BEARING 6005 2RSC3	17.06 €
6.)	MA100-A06	1	SNAP RING	1.38 €
7.)	MA100-A07	2	PIN	1.38 €
8.)	MA100-A08	1	GEAR BOX	253.55 €
9.)	MA100-A09	1	NEEDLE BEARING NK 1012	14.75 €
10.)	MA100-A10	1	SNAP RING, S15	1.38 €
11.)	MA100-A11	1	FIRST GEAR	138.30 €
12.)	MA100-A12	1	KEY, 5 x 5 x 10	2.31 €
13.)	MA100-A13	2	SNAP RING, ISTW15	1.38 €
14.)	MA100-A14	1	FIRST GEAR M	129.08 €
15.)	MA100-A15	1	SNAP RING, STW12	1.38 €
16.)	MA100-A16	1	FIRST CLUTCH	115.25 €
17.)	MA100-A17	1	FIRST PINION	161.35 €
18.)	MA100-A18	1	SNAP RING	1.38 €
19.)	MA100-A19	1	FIRST GEAR L 22T	115.25 €
20.)	MA100-A20	1	SNAP RING	1.38 €
21.)	MA100-A21	2	BEARING 6800 ZZ	14.75 €
22.)	MA100-A22	1	FIRST CHANGE BLOCK	92.20 €
23.)	MA100-A23	2	HEX WRENCH BOLT M4 x 10L	1.38 €
24.)	MA100-A24	2	GEAR CHANGE KNOB	55.32 €
25.)	MA100-A25	2	PIN $\Phi$ 3*8L	1.38 €
26.)	MA100-A26	2	GUIDE BRACKET	13.83 €
27.)	MA100-A27	2	SNAP RING	1.38 €
28.)	MA100-A28	2	GUIDE PIN	9.22 €
29.)	MA100-A29	1	INNER COVER	230.50 €
30.)	MA100-A30	1	NEEDLE BEARING NK 1012	14.75 €
31.)	MA100-A31	1	SECOND PINION	161.35 €
32.)	MA100-A32	1	KEY	0.46 €
33.)	MA100-A33	1	SECOND GEAR 27T	138.30 €
34.)	MA100-A34	1	SNAP RING	1.38 €
35.)	MA100-A35	2	BEARING 6800 ZZ	14.75 €
36.)	MA100-A36	1	NEEDLE BEARING NK1012	14.75 €
37.)	MA100-A37	1	SNAP RING	1.38 €
38.)	MA100-A38	1	THIRD GEAR H 36T	152.13 €
39.)	MA100-A39	1	SNAP RING	1.38 €
40.)	MA100-A40	1	THIRD CLUTCH	115.25 €
41.)	MA100-A41	1	THIRD PINION	161.35 €
42.)	MA100-A42	1	SNAP RING	1.38 €
43.)	MA100-A43	1	THIRD GEAR L 42T	161.35 €
44.)	MA100-A44	1	SNAP RING	1.38 €
45.)	MA100-A45	2	BEARING 6901 ZZ	14.75 €
46.)	MA100-A46	1	THIRD CHANGE BLOCK	92.20 €
47.)	MA100-A47	1	BEARING 6201 RSC3	14.75 €
48.)	MA100-A48	1	SNAP RING	1.38 €
49.)	MA100-A49	1	SNAP RING	1.38 €
50.)	MA100-A50	1	FAN	27.66 €
51.)	MA100-A51	1	ARMATURE ASS'Y	391.85 €
52.)	MA100-A52	1	RUBBER BUSHING	29.97 €
53.)	MA100-A53	1	BEARING 6200 ZCC3	12.91 €
54.)	MA100-A54	1	FAN GUIDE	36.88 €
55.)	MA100-A55	1	STATOR ASS'Y	322.70 €
56.)	MA100-A56	1	MOTOR HOUSING	138.30 €
57.)	MA100-A57	2	CARBON BRUSH HOLDER	23.05 €
58.)	MA100-A58	2	CARBON BRUSH	23.05 €
59.)	MA100-A59	2	CONNECTOR MOUNT	4.61 €
60.)	MA100-A60	2	WIRING CONNECTOR	11.53 €
61.)	MA100-A61	4	HOUSING CAP	32.27 €

# MP 100M30 | 491100N

62.)	MA100-A62	2	HEX SOCKET BOLT M4	1.38 €
<b>PART B</b>				
1.)	MA100-B01	1	MOTOR & GEARBOX ASS'Y,	1,510.70 €
2.)	MA100-B02	2	HEX SOCKET BOLT M6-L20	1.38 €
3.)	MA100-B03	1	SLIDE	875.90 €
4.)	MA100-B04	2	GIB	11.53 €
5.)	MA100-B05	3	HEX SOCKET BOLT M6-L15	1.38 €
6.)	MA100-B06	5	O-RING ASSEMBLED STOPPER BOLT	11.53 €
7.)	MA100-B07	1	WING BOLT ASS'Y M6-L10	12.91 €
8.)	MA100-B08	1	RACK GEAR	129.08 €
9.)	MA100-B09	4	HEX SOCKET BOLT M6-L15	1.38 €
10.)	MA100-B10	2	RAIL BAR	101.42 €
11.)	MA100-B11	2	CABLE GLAND ASS'Y	46.10 €
12.)	MA100-B12	1	WIRE	6.92 €
13.)	MA100-B13	1	COOLANT TANK ASS'Y	36.88 €
14.)	MA100-B14	1	COOLANT TANK HANGER	18.44 €
15.)	MA100-B15	2	ROUND HEAD BOLT M4-L10	1.38 €
16.)	MA100-B16	1	MAIN FRAME	691.50 €
17.)	MA100-B17	1	WARNING PANEL	92.20 €
18.)	MA100-B18-2	1	PCB	368.80 €
19.)	MA100-B19	8	TRUSS HEAD BOLT M4-L10	16.14 €
20.)	MA100-B20-2	1	CONTROL PANEL ASS'Y WITH SWITCHES	175.18 €
21.)	MA100-B21	1	HANDLE PINION GEAR	138.30 €
22.)	MA100-B22	1	HANDLE JOINT	106.03 €
23.)	MA100-B23	3	HANDLE	20.75 €
24.)	MA100-B24	1	HANDLE REAR CAP	161.35 €
25.)	MA100-B25	1	HEX TIGHTENING BOLT M8-L30	1.38 €
26.)	MA100-B26	6	HEX SOCKET BOLT M5-L30	1.38 €
27.)	MA100-B27	2	HEX SOCKET BOLT M5-L75	1.38 €
28.)	MA100-B28	1	ELECTRO MAGNET	691.50 €
29.)	MA100-B29	4	HEX SOCKET BOLT M6-L30	1.38 €
30.)	MA100-B30	1	POWER CORD	27.66 €
31.)	MA100-B31	1	CABLE GLAND ASS'Y	27.66 €
32.)	MA100-B32	1	ARBOR STOPPER	9.22 €